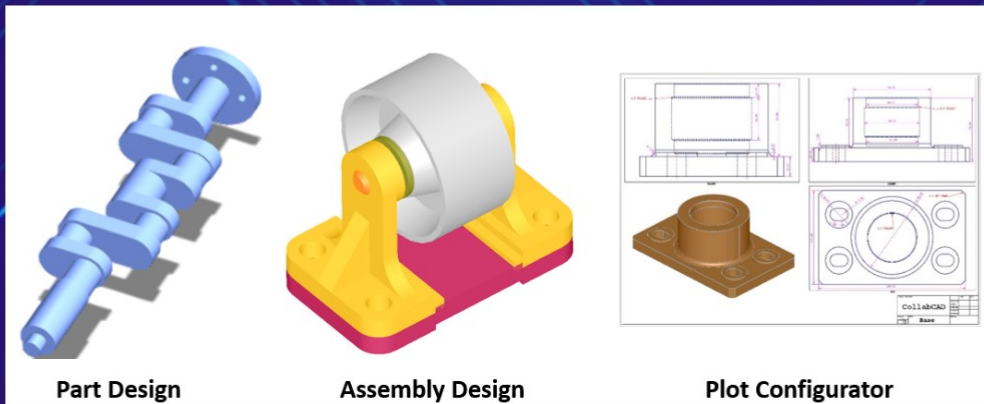


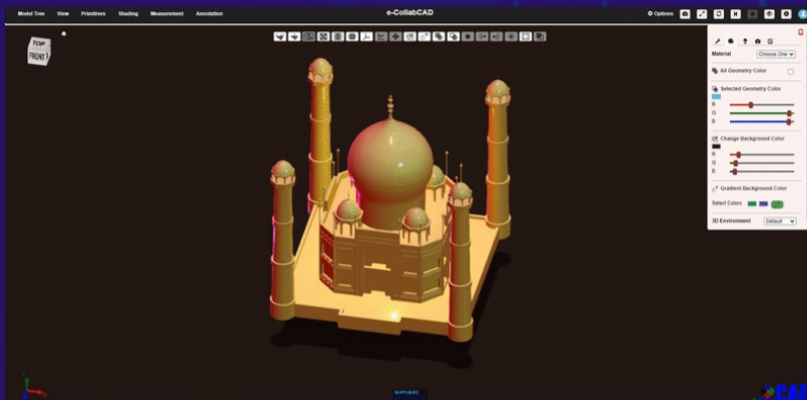
# CollabCAD

COLLABORATIVE AND DESKTOP 3D DESIGN & ENGINEERING DRAWING TOOL

## DESIGN MODULES



## 3D VIEWER



## Features

- ★ Part, Assembly, Surface Modeling and Drafting
- ★ Collaborative Design
- ★ Export to STL file for 3D Printing
- ★ Standard 3D Data Exchange
- ★ Programmable Scripting Interface
- ★ 3D Web Viewer
- ★ Online Web Help

## Info & Submission

[www.collabcad.gov.in](http://www.collabcad.gov.in)

## Contact Us

National Informatics Centre (Hqrs.)  
Ministry of Electronics and Information Technology  
A-Block, C.G.O. Complex, Lodhi Road  
New Delhi - 110003 India  
E-mail: [collabcad@nic.in](mailto:collabcad@nic.in)  
91-11-2430 5177

